

## GDC

# GENERAL DISPLAY & CONTROLLER

Digital technology for optimized measures

### THE ADVANTAGE

**Universal Terminals:** Use with Cross Smart Sensors for measurements of water analyzing, Gas analyzing and process control.

**Advanced Display:** -40°C tolerance brighter OLED screen for GDC-01/02, GDC-H and GDC-Ex. Colorful touch screen LCD for GDC-04/06/08

**Single or Multiple Channels:** for parameters and 4-20 mA analogue outputs up to 8 Channels.

**4-20 mA output and Alarm Relays:** Flexible configurations for all applications.

**GDC-Ex Explosion Proof Terminal:** Using a magnetic screwdriver through the display window to set up the GDC -Ex, eliminates the need to open the enclosure cover.

**USB Port** for easy data logging and software update.


**GDC-04/06/08** terminals based on Linux system to run cross-platform software Delta-Phase View™

**Optional Ethernet (TCP/IP) port and Wi-Fi** for GDC-04/06/08, can be connected wirelessly by Pad, smart phones and computers for remote display and operations.

### DESCRIPTION

GDC (General Displayer & Controller) series terminal are designed for continuous measurements with Cross Smart Sensors in a general purpose industrial or municipal environment. GDC terminals have the ability to extend network by intelligent sensors with RS485 output, Modbus RTU protocol. GDC terminals supply power to sensors in the meantime of getting signals. A plug and play function can be expected for those sensors in our recommended list, that means if you plug an intelligent sensor into a GDC and it will automatically configure to any of the listed measurements. GDC terminals can be expanded to work with any sensors with analogue or digital outputs for customized configuration.



	Low Voltage Directive 2014/35/EU
	Electromagnetic Compatibility Directive 2014/30/EU
	RoHS 2 Directive 2011/65/EU
	EN 61010-1:2010; EN 61326-1:2013

## SPECIFICATIONS

### Measuring Parameters

Depended on Cross Smart Sensor

### Accuracy

±0.1%F.S.

### Repeatable

±0.1%

### Linearity

±0.05%

### Respond time

T90<1s

### Compensation

Atmosphere compensation for Dissolved Oxygen and pressure measurements

### Display

GDC-01/02/H/Ex: OLED Screen

GDC-04/06/08: LCD Touch Screen

Parameter, value, % and Unit

### Operating Temperature

GDC-01/02/H/Ex: -40 to 158°F (-40 to 70°C)

GDC-04/06/08: -4 to 140°F (-20 to 60°C)

### Power Supply

24VDC (18 to 36VDC), 100 to 240VAC, 50Hz/60Hz

Rechargeable Battery (GDC-H only)

### Input

Analog input 4~20mA

### Output

Analog output: 4~20mA, up to 8 Channels depended on GDC model

Pulse: flow measurement only

Relay: up to 8 SPDT (According to Model selection)

5A@250VAC / 5A@30VDC

GDC-H 0.5A@30VDC

### Digital Interface

RS485 Modbus RTU

USB2.0

Ethernet (TCP/IP) port and wifi (TCP/IP) for GDC-

04/06/08 only

### Weight

GDC-01/02 1.76lb. (0.8kg)

GDC-04/06/08 3.31lb. (1.5kg)

### Explosion Proof

GDC-Ex: Ex d IIC T6

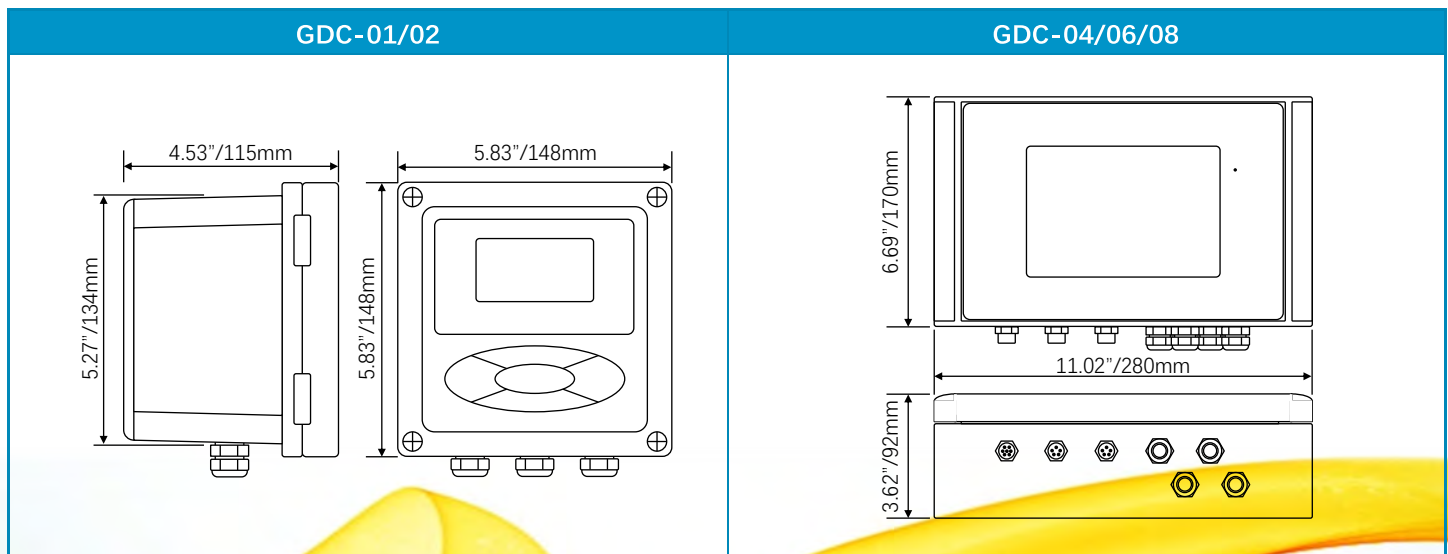
### Ingress Protection Rate

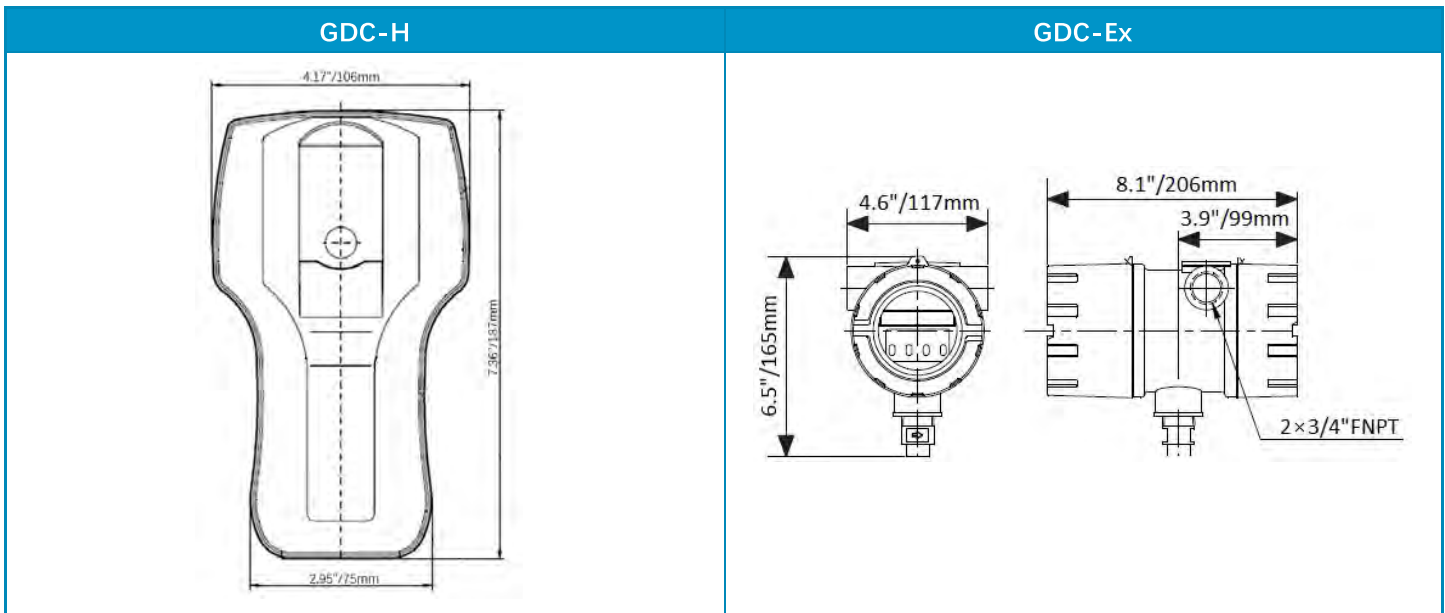
IP65 for GDC-01/02, GDC-04/06/08

IP66 for GDC-Ex

IP54 for GDC-H

## DIMENSION





## ORDER CODE

GDC General Display & Controller				
<b>Model and Analogue Output Channels</b>				
-01	Single Channel	-02	Dual Channels	
-04	Four Channels	-06	Six Channels	-08
-H	Handheld	-Ex	Explosion-proof	
<b>Relay</b>				
-				
Two SPDT Relays (Standard for GDC-01/02)				
-R4				
Four SPDT Relays (Standard for GDC-04/06/08 or Optional for GDC-01/02)				
-R6				
Six SPDT Relays (for GDC-04/06/08 only)				
-R8				
Eight SPDT (for GDC-04/06/08 only)				
<b>Power Supply</b>				
-AC				
100 to 240VAC, 50Hz/60Hz				
-DC				
24VDC (18 to 36VDC)				
<b>Special Application</b>				
-				
None				
-ATM				
Atmosphere compensation				
-AL				
Acousto-optic Alarm				
-WHL				
Water Head Lost				
-OCF				
Open Channel Flow Measurement				
-AVF				
Area/Velocity Flow Measurement				
<b>GDC</b>	-04	-	-AC	-



**DELTA-PHASE ELECTRONICS, INC.**

1502 E. Warner Ave., Suite B,  
Santa Ana, CA 92705 U.S.A.  
Phone: (714) 866-8070  
<http://www.delta-phase.us>